

## Simplicity Bubblers Cold Beverage Dispensers 2x18 L, agitator model

ITEM # \_\_\_\_\_

MODEL # \_\_\_\_\_

NAME # \_\_\_\_\_

SIS # \_\_\_\_\_

AIA # \_\_\_\_\_



600558 (ECS2D22)

Chilled Beverage Dispenser  
 with 2x18 l bowls and  
 agitator

### Short Form Specification

Item No. \_\_\_\_\_

Cold beverage dispenser, 2x18lt, with agitation function for fresh juices, coffees, or teas with minimal foaming system. Dispense 2 flavors in 18lt easy-clean bowls with 23cm cup clearance. Easy-off bowl release system for faster and easier assembly and disassembly. Temperature range from 1.7 - 5° C. Pre-mix dispenser with stainless steel base and clear plastic bowls. Compact size of 52 cm.

### Main Features

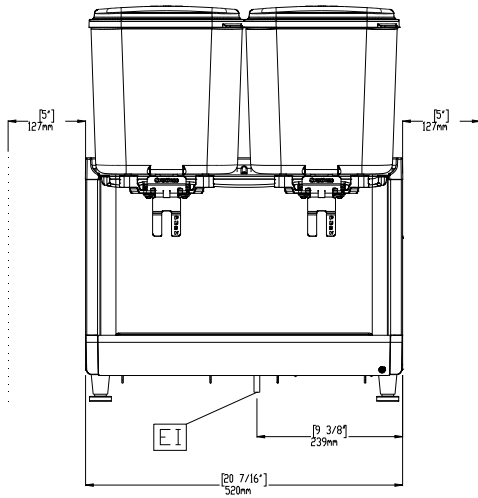
- Agitation function for fresh juices, coffees, or teas with minimal foaming system.
- Easy-off bowl release system for faster and easier assembly and disassembly.
- User friendly design enables machine to dispense product till the very last drop.
- Two flavors dispensed with 18 L easy-clean bowls with 23 cm cup clearance.

### Construction

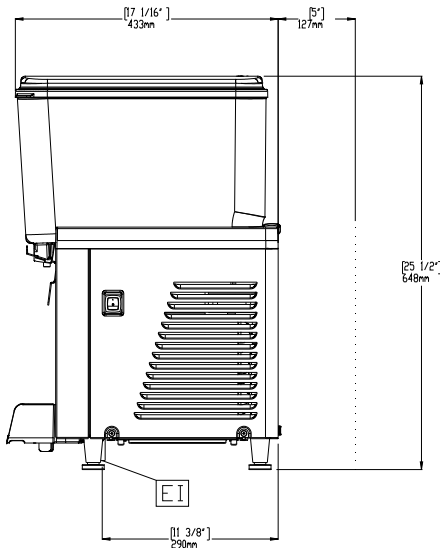
- Pre-mix dispenser with stainless steel base and clear plastic bowls.
- Fewer removable parts to simplify cleaning and reduce maintenance.
- Temperature range from 1.7 - 5° C.
- Compact size of 52 cm wide saves valuable counter space.
- The air intakes from the bottom and exhaust to back.

APPROVAL: \_\_\_\_\_

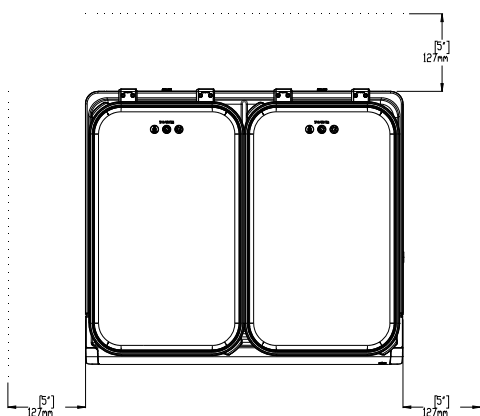
Front



Side



Top



### Electric

Supply voltage:

600558 (ECS2D22) 230 V/1 ph/50/60 Hz

Electrical power max.:

0.4 kW

### Key Information:

External dimensions, Width:	521 mm
External dimensions, Depth:	451 mm
External dimensions, Height:	699 mm
Net weight:	32 kg
Shipping weight:	37 kg
Shipping height:	530 mm
Shipping width:	480 mm
Shipping depth:	630 mm